
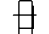






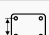



Fixed castor:

FXNY 1002 7100



## Technical data

Diameter		100 mm
Wheel width		37 mm
Hub length		45 mm
Height		130 mm
Offset		40 mm
Wheel axle diameter		8 mm
Top plate dimensions		105x86 mm
Top plate hole diameter		9 mm
Dist. between holes		80/77x60 mm
Load capacity		250 kg

## Technical description

Heavy duty rigid fork of stainless steel



## Wheel

Polyamide wheel with one sealed stainless steel deep groove ball bearing